



# Forged Steel Valves

**SWI**  
**VALVE**

SWI Valve Co., Ltd.

Reliable Performance in Extreme Conditions

[www.swivalve.com](http://www.swivalve.com)



## ● Foreword

SWI Valve Co., Ltd. (SWI) stands for three values – quality, innovation and service. We know that the world's Oil, Chemical, Petrochemical and Process industries require high-quality precision flow control products. Since its foundation in 1987, SWI has dedicated to supplying that need with an extensive range of industrial valves, manufactured in its own factories and designed for environmental sensitivity.

Today, SWI is a leading manufacturer of Ball, Gate, Globe, Check, Cryogenic, Bellows Seal and Double Block & Bleed valves. Our facilities incorporate all aspects of valve design, development and manufacture ensuring that SWI can offer a degree of flexibility rarely encountered elsewhere.

The Quality Policy of SWI is to consistently provide products which satisfy customer and applicable regulatory requirements, with the aim of enhancing customer satisfaction by providing exactly what has been agreed contractually, to the required quality and within the time stated. In order to achieve this aim, SWI operates under the Quality Assurance Scheme which is in accordance with ISO 9001 and API Monogram.

We are pleased to introduce our range of Forged Steel Valves and trust this catalogue will assist our customers in the selection and application of SWI products.



## **Contents**

### **Introduction**

---

### **Specification**

---

|             |       |
|-------------|-------|
| Gate Valve  | 3-10  |
| Globe Valve | 11-21 |
| Check Valve | 22-32 |

### **Pressure-Temperature Rating**

---

33-37

### **Standard Material Specification**

---

38-40

### **CV Values of SWI Valves**

---

41

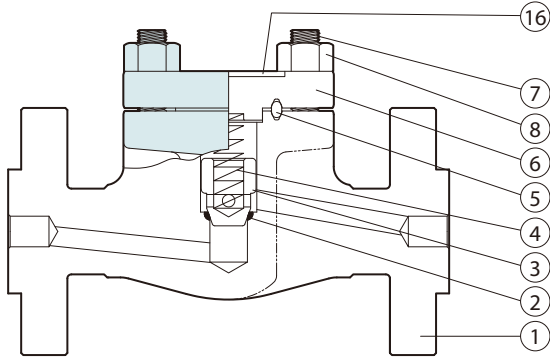
### **How to Order**

---

42



**Critical Service  
Valves for the  
World's Industries**

**LIFT CHECK VALVES – RING JOINT COVER – REDUCED / FULL PORT**


| No. | Parts      | Material                      | A.S.T.M.  |
|-----|------------|-------------------------------|-----------|
| 1   | Body       | Forged Steel                  | A105N     |
| 2   | Seat       | Integral Hardfaced Stellite 6 |           |
| 3   | Disc       | 13Cr Stainless Steel          | A217-CA15 |
| 4   | Spring     | Stainless Steel               | A276-316  |
| 5   | Gasket     | Soft Iron                     |           |
| 6   | Cover      | Forged Steel                  | A105N     |
| 7   | Cover Bolt | Alloy Steel                   | A193-B7   |
| 8   | Cover Nut  | Carbon Steel                  | A194-2H   |
| 16  | Name Plate | Aluminum                      |           |

**CLASS 1500 - API 602 / ASME B16.34**

Unit: mm (inch)

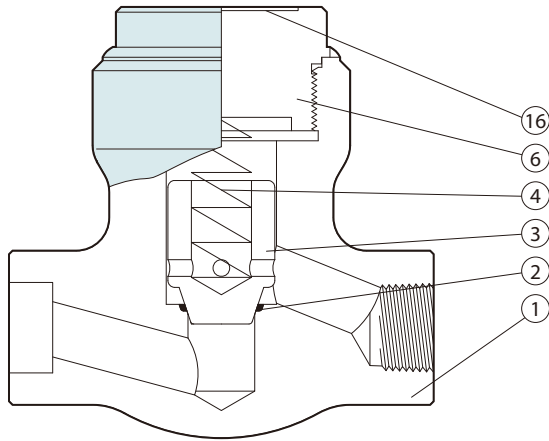
| Port    | Valve Size | Face to Face | Center to Top | Dia. of Port Openings | Weight Kg (Lb) |
|---------|------------|--------------|---------------|-----------------------|----------------|
| Reduced | 1/2        | 216 ( 8.50)  | 157 (6.18)    | 10 (0.39)             | 8 (18)         |
|         | 3/4        | 229 ( 9.00)  | 180 (7.09)    | 15 (0.59)             | 13 (29)        |
|         | 1          | 254 (10.00)  | 185 (7.28)    | 18 (0.71)             | 16 (35)        |
|         | 1 1/2      | 305 (12.00)  | 210 (8.27)    | 28 (1.10)             | 29 (64)        |
|         | 2          | 368 (14.25)  | 250 (9.84)    | 35 (1.38)             | 33 (73)        |

**CLASS 2500 - ASME B16.34**

Unit: mm (inch)

| Port | Valve Size | Face to Face | Center to Top | Dia. of Port Openings | Weight Kg (Lb) |
|------|------------|--------------|---------------|-----------------------|----------------|
| Full | 1/2        | 264 (10.38)  | 180 (7.09)    | 10 (0.39)             | 17 ( 38)       |
|      | 3/4        | 273 (10.75)  | 180 (7.09)    | 15 (0.59)             | 18 ( 40)       |
|      | 1          | 308 (12.12)  | 200 (7.87)    | 18 (0.71)             | 23 ( 51)       |
|      | 1 1/2      | 384 (15.12)  | 230 (9.06)    | 28 (1.10)             | 40 ( 88)       |
|      | 2          | 451 (17.75)  | 250 (9.84)    | 35 (1.38)             | 54 (119)       |

## LIFT CHECK VALVES – SEAL WELDED COVER – REDUCED / FULL PORT



| No. | Parts      | Material                      | A.S.T.M. |
|-----|------------|-------------------------------|----------|
| 1   | Body       | Forged Steel                  | A105N    |
| 2   | Seat       | Integral Hardfaced Stellite 6 |          |
| 3   | Disc       | Stellite 6 faced A276-410     |          |
| 4   | Spring     | Stainless Steel               | A276-316 |
| 6   | Cover      | Forged Steel                  | A105N    |
| 16  | Name Plate | Aluminum                      |          |

### CLASS 1500 - ASME B16.34

Unit: mm (inch)

| Port    | Valve Size | End to End | Center to Top | Dia. of Port Openings | Weight Kg (Lb) |
|---------|------------|------------|---------------|-----------------------|----------------|
| Reduced | 1/2        | 110 (4.33) | 81 (3.19)     | 9.5 (0.37)            | 2 ( 5)         |
|         | 3/4        | 110 (4.33) | 81 (3.19)     | 12 (0.47)             | 2 ( 5)         |
|         | 1          | 127 (5.00) | 96 (3.78)     | 16 (0.63)             | 3.5 ( 8)       |
|         | 1 1/4      | 155 (6.10) | 116 (4.57)    | 20 (0.79)             | 6 (13)         |
|         | 1 1/2      | 155 (6.10) | 116 (4.57)    | 27 (1.06)             | 6 (13)         |
|         | 2          | 210 (8.27) | 147 (5.79)    | 32 (1.26)             | 13 (29)        |
| Full    | 1/2        | 110 (4.33) | 81 (3.19)     | 12 (0.47)             | 2 ( 5)         |
|         | 3/4        | 127 (5.00) | 96 (3.78)     | 16 (0.63)             | 3.5 ( 8)       |
|         | 1          | 155 (6.10) | 116 (4.57)    | 20 (0.79)             | 6 (13)         |
|         | 1 1/4      | 210 (8.27) | 147 (5.79)    | 27 (1.06)             | 13 (29)        |
|         | 1 1/2      | 210 (8.27) | 147 (5.79)    | 32 (1.26)             | 13 (29)        |
|         | 2          | 229 (9.02) | 178 (7.01)    | 39 (1.54)             | 19 (42)        |

### CLASS 2500 - ASME B16.34

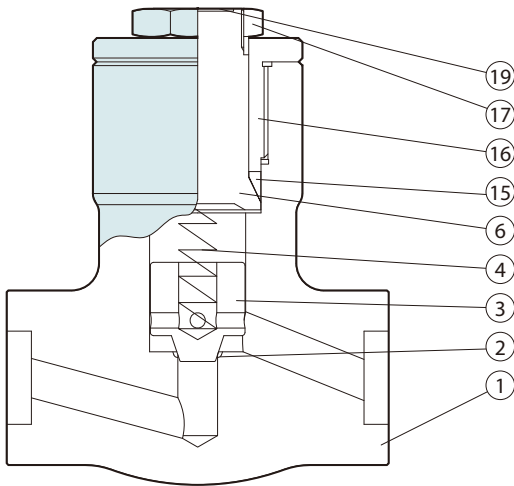
Unit: mm (inch)

| Port | Valve Size | End to End | Center to Top | Dia. of Port Openings | Weight Kg (Lb) |
|------|------------|------------|---------------|-----------------------|----------------|
| Full | 1/2        | 110 (4.33) | 86 (3.39)     | 10 (0.39)             | 3 ( 7)         |
|      | 3/4        | 127 (5.00) | 101 (3.98)    | 13 (0.51)             | 4 ( 9)         |
|      | 1          | 155 (6.10) | 121 (4.76)    | 18 (0.71)             | 8 (18)         |
|      | 1 1/4      | 210 (8.27) | 157 (6.18)    | 23 (0.91)             | 14 (31)        |
|      | 1 1/2      | 210 (8.27) | 157 (6.18)    | 26 (1.02)             | 14 (31)        |
|      | 2          | 229 (9.02) | 190 (7.48)    | 35 (1.38)             | 20 (44)        |

### CLASS 4500 - ASME B16.34

Unit: mm (inch)

| Port | Valve Size | End to End | Center to Top | Dia. of Port Openings | Weight Kg (Lb) |
|------|------------|------------|---------------|-----------------------|----------------|
| Full | 1/2        | 127 (5.00) | 101 (3.98)    | 7 (0.28)              | 4 ( 9)         |
|      | 3/4        | 155 (6.10) | 121 (4.76)    | 11 (0.43)             | 8 (18)         |
|      | 1          | 210 (8.27) | 157 (6.18)    | 14 (0.55)             | 14 (31)        |
|      | 1 1/4      | 229 (9.02) | 190 (7.48)    | 18 (0.71)             | 20 (44)        |
|      | 1 1/2      | 229 (9.02) | 190 (7.48)    | 22 (0.87)             | 20 (44)        |
|      | 2          | 250 (9.84) | 108 (8.19)    | 25 (0.98)             | 22 (49)        |

**LIFT CHECK VALVES – PRESSURE SEAL COVER – FULL PORT**


| No. | Parts        | Material                      | A.S.T.M. |
|-----|--------------|-------------------------------|----------|
| 1   | Body         | Forged Steel                  | A105N    |
| 2   | Seat         | Integral Hardfaced Stellite 6 |          |
| 3   | Disc         | Stellite 6 faced A276-410     |          |
| 4   | Spring       | Stainless Steel               | A276-316 |
| 6   | Bonnet       | Forged Steel                  | A105N    |
| 15  | Gasket       | Soft Iron                     |          |
| 16  | Bonnet Guide | Forged Steel                  | A105N    |
| 17  | Bonnet Nut   | Carbon Steel                  | A276-410 |
| 19  | Name Plate   | Aluminum                      |          |

**CLASS 1500 - ASME B16.34**

Unit: mm (inch)

| Port | Valve Size | End to End | Center to Top | Dia. of Port Openings | Weight Kg (Lb) |
|------|------------|------------|---------------|-----------------------|----------------|
| Full | 1/2        | 155 (6.10) | 96 (3.78)     | 12 (0.47)             | 10 (22)        |
|      | 3/4        | 155 (6.10) | 116 (4.57)    | 16 (0.63)             | 10 (22)        |
|      | 1          | 210 (8.27) | 147 (5.79)    | 20 (0.79)             | 15 (33)        |
|      | 1 1/2      | 229 (9.02) | 178 (7.01)    | 32 (1.26)             | 22 (49)        |
|      | 2          | 235 (9.25) | 213 (8.39)    | 39 (1.54)             | 30 (66)        |

**CLASS 2500 - ASME B16.34**

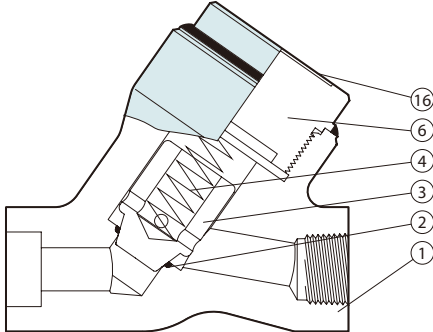
Unit: mm (inch)

| Port | Valve Size | End to End | Center to Top | Dia. of Port Openings | Weight Kg (Lb) |
|------|------------|------------|---------------|-----------------------|----------------|
| Full | 1/2        | 155 (6.10) | 116 (4.57)    | 10 (0.39)             | 10 (22)        |
|      | 3/4        | 210 (8.27) | 147 (5.79)    | 13 (0.51)             | 15 (33)        |
|      | 1          | 229 (9.02) | 178 (7.01)    | 18 (0.71)             | 24 (53)        |
|      | 1 1/2      | 235 (9.25) | 213 (8.39)    | 26 (1.02)             | 33 (73)        |
|      | 2          | 235 (9.25) | 213 (8.39)    | 35 (1.38)             | 32 (71)        |

**CLASS 4500 - ASME B16.34**

Unit: mm (inch)

| Port | Valve Size | End to End | Center to Top | Dia. of Port Openings | Weight Kg (Lb) |
|------|------------|------------|---------------|-----------------------|----------------|
| Full | 1/2        | 210 (8.27) | 147 (5.79)    | 7 (0.28)              | 16 (35)        |
|      | 3/4        | 210 (8.27) | 178 (7.01)    | 11 (0.43)             | 16 (35)        |
|      | 1          | 229 (9.02) | 213 (8.39)    | 14 (0.55)             | 27 (60)        |
|      | 1 1/2      | 235 (9.25) | 239 (9.41)    | 22 (0.87)             | 34 (75)        |
|      | 2          | 250 (9.84) | 252 (9.92)    | 25 (0.98)             | 40 (88)        |

**Y-CHECK VALVES – SEAL WELDED COVER – REDUCED / FULL PORT**


| No. | Parts      | Material                      | A.S.T.M. |
|-----|------------|-------------------------------|----------|
| 1   | Body       | Forged Steel                  | A105N    |
| 2   | Seat       | Integral Hardfaced Stellite 6 |          |
| 3   | Disc       | Stellite 6 faced A276-410     |          |
| 4   | Spring     | Stainless Steel               | A276-316 |
| 6   | Cover      | Forged Steel                  | A105N    |
| 16  | Name Plate | Aluminum                      |          |

**CLASS 1500 / 1690 - ASME B16.34**

Unit: mm (inch)

| Port    | Valve Size | End to End | Center to Top | Dia. of Port Openings | Weight Kg (Lb) |
|---------|------------|------------|---------------|-----------------------|----------------|
| Reduced | 1/2        | 110 (4.33) | 91 (3.58)     | 9.5 (0.37)            | 2 ( 5)         |
|         | 3/4        | 110 (4.33) | 91 (3.58)     | 12 (0.47)             | 2 ( 5)         |
|         | 1          | 127 (5.00) | 105 (4.13)    | 16 (0.63)             | 3.5 ( 8)       |
|         | 1 1/4      | 155 (6.10) | 127 (5.00)    | 20 (0.79)             | 6 (13)         |
|         | 1 1/2      | 155 (6.10) | 127 (5.00)    | 27 (1.06)             | 6 (13)         |
|         | 2          | 210 (8.27) | 166 (6.54)    | 32 (1.26)             | 13 (29)        |
| Full    | 1/2        | 110 (4.33) | 86 (3.39)     | 12 (0.47)             | 2 ( 5)         |
|         | 3/4        | 127 (5.00) | 99 (3.90)     | 16 (0.63)             | 3.5 ( 8)       |
|         | 1          | 155 (6.10) | 122 (4.80)    | 20 (0.79)             | 6 (13)         |
|         | 1 1/4      | 210 (8.27) | 156 (6.14)    | 27 (1.06)             | 13 (29)        |
|         | 1 1/2      | 210 (8.27) | 156 (6.14)    | 32 (1.26)             | 13 (29)        |
|         | 2          | 229 (9.02) | 186 (7.32)    | 39 (1.54)             | 19 (42)        |

**CLASS 2500 / 2680 - ASME B16.34**

Unit: mm (inch)

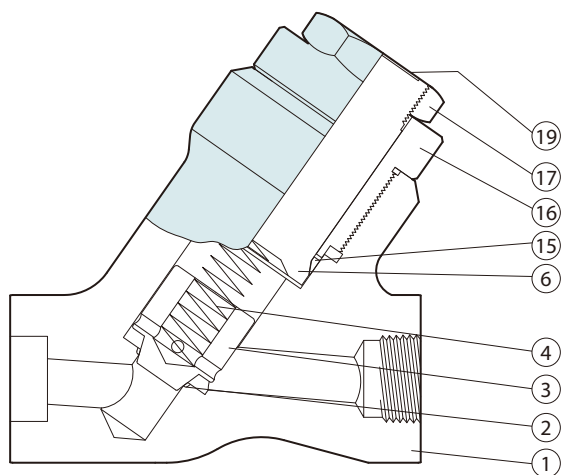
| Port | Valve Size | End to End | Center to Top | Dia. of Port Openings | Weight Kg (Lb) |
|------|------------|------------|---------------|-----------------------|----------------|
| Full | 1/2        | 110 (4.33) | 91 (3.58)     | 10 (0.39)             | 3 ( 7)         |
|      | 3/4        | 127 (5.00) | 105 (4.13)    | 13 (0.51)             | 4 ( 9)         |
|      | 1          | 155 (6.10) | 127 (5.00)    | 18 (0.71)             | 8 (18)         |
|      | 1 1/4      | 210 (8.27) | 166 (6.54)    | 23 (0.91)             | 14 (31)        |
|      | 1 1/2      | 210 (8.27) | 166 (6.54)    | 26 (1.02)             | 14 (31)        |
|      | 2          | 229 (9.02) | 198 (7.80)    | 35 (1.38)             | 20 (44)        |

**CLASS 4500 - ASME B16.34**

Unit: mm (inch)

| Port | Valve Size | End to End | Center to Top | Dia. of Port Openings | Weight Kg (Lb) |
|------|------------|------------|---------------|-----------------------|----------------|
| Full | 1/2        | 127 (5.00) | 105 (4.13)    | 7 (0.28)              | 4 ( 9)         |
|      | 3/4        | 155 (6.10) | 127 (5.00)    | 11 (0.43)             | 8 (18)         |
|      | 1          | 210 (8.27) | 166 (6.54)    | 14 (0.55)             | 14 (31)        |
|      | 1 1/4      | 229 (9.02) | 198 (7.80)    | 18 (0.71)             | 20 (44)        |
|      | 1 1/2      | 229 (9.02) | 198 (7.80)    | 22 (0.87)             | 20 (44)        |
|      | 2          | 250 (9.84) | 210 (8.27)    | 25 (0.98)             | 22 (49)        |

## Y-CHECK VALVES – PRESSURE SEAL COVER – FULL PORT



| No. | Parts        | Material                      | A.S.T.M. |
|-----|--------------|-------------------------------|----------|
| 1   | Body         | Forged Steel                  | A105N    |
| 2   | Seat         | Integral Hardfaced Stellite 6 |          |
| 3   | Disc         | Stellite 6 faced A276-410     |          |
| 4   | Spring       | Stainless Steel               | A276-316 |
| 6   | Bonnet       | Forged Steel                  | A105N    |
| 15  | Gasket       | Soft Iron                     |          |
| 16  | Bonnet Guide | Forged Steel                  | A105N    |
| 17  | Bonnet Nut   | Carbon Steel                  | A276-410 |
| 19  | Name Plate   | Aluminum                      |          |

### CLASS 1500 / 1690 - ASME B16.34

Unit: mm (inch)

| Port | Valve Size | End to End | Center to Top | Dia. of Port Openings | Weight Kg (Lb) |
|------|------------|------------|---------------|-----------------------|----------------|
| Full | 1/2        | 155 (6.10) | 101 (3.98)    | 12 (0.47)             | 10 (22)        |
|      | 3/4        | 155 (6.10) | 119 (4.69)    | 16 (0.63)             | 10 (22)        |
|      | 1          | 210 (8.27) | 153 (6.02)    | 20 (0.79)             | 15 (33)        |
|      | 1 1/2      | 229 (9.02) | 187 (7.36)    | 32 (1.26)             | 22 (49)        |
|      | 2          | 229 (9.02) | 187 (7.36)    | 39 (1.54)             | 30 (66)        |

### CLASS 2500 / 2680 - ASME B16.34

Unit: mm (inch)

| Port | Valve Size | End to End | Center to Top | Dia. of Port Openings | Weight Kg (Lb) |
|------|------------|------------|---------------|-----------------------|----------------|
| Full | 1/2        | 155 (6.10) | 119 (4.69)    | 10 (0.39)             | 10 (22)        |
|      | 3/4        | 210 (8.27) | 153 (6.02)    | 13 (0.51)             | 15 (33)        |
|      | 1          | 229 (9.02) | 187 (7.36)    | 18 (0.71)             | 24 (53)        |
|      | 1 1/2      | 235 (9.25) | 221 (8.70)    | 26 (1.02)             | 33 (73)        |
|      | 2          | 250 (9.84) | 252 (9.92)    | 35 (1.38)             | 32 (71)        |

### CLASS 4500 - ASME B16.34

Unit: mm (inch)

| Port | Valve Size | End to End | Center to Top | Dia. of Port Openings | Weight Kg (Lb) |
|------|------------|------------|---------------|-----------------------|----------------|
| Full | 1/2        | 155 (6.10) | 119 (4.69)    | 7 (0.28)              | 10 (22)        |
|      | 3/4        | 210 (8.27) | 153 (6.02)    | 11 (0.43)             | 16 (35)        |
|      | 1          | 229 (9.02) | 187 (7.36)    | 14 (0.55)             | 27 (60)        |
|      | 1 1/2      | 235 (9.25) | 221 (8.70)    | 22 (0.87)             | 34 (75)        |
|      | 2          | 250 (9.84) | 252 (9.92)    | 25 (0.98)             | 40 (88)        |



**CODE TABLE**      1   2   3   4   5   6   7   8  
**SAMPLE VALVE**      AA F 24 AN A B 1 C  
 GATE, CLASS 800, 316/L BODY, 316FHF TRIM, SOCKET WELD ENDS, WELDED BONNET RED.PORT, GRAPHOIL PACKING

| 1<br>VALVE TYPE |                                 | 2<br>CLASS |         | 3<br>SHELL MATERIAL |            | 4<br>TRIM MATERIAL |                   |      |             |                |             |
|-----------------|---------------------------------|------------|---------|---------------------|------------|--------------------|-------------------|------|-------------|----------------|-------------|
| AA              | GATE                            | A          | 125     | 11                  | A105N, WCB | 32                 | F91, C12A         | STEM | WEDGE/DISC  | SEAT           |             |
| AB              | GLOBE                           | B          | 150     | 13                  | LF2, LC2   | 33                 | MONEL             | AB   | CR13        | CR13           | STELLITE 6  |
| AC              | PISTON CHECK                    | C          | 200     | 14                  | LF3, LC3   | 34                 |                   | AC   | CR13        | CR13+ST 6      | STELLITE 6  |
| AD              | SWING CHECK                     | D          | 300     | 15                  | F5, C5     | 35                 | ALLOY 625 NO6625  | AF   | 304         | 304/CF8        | STELLITE 6  |
| AE              | BALL CHECK                      | E          | 600     | 16                  | F9, C12    | 36                 | ALLOY 825 NO8825  | AG   | 304         | 304/CF8+ST 6   | STELLITE 6  |
| AF              | NEEDLE GLOBE                    | F          | 800     | 17                  | F11, WC6   | 37                 | ALLOY 800 NO8800  | AL   | 316         | 316/CF8M       | 316/CF8M    |
| AG              | ANGLE GLOBE                     | G          | 900     | 18                  | F22, WC9   | 38                 | ALLOY 800H NO8810 | AM   | 316         | 316/CF8M       | STELLITE 6  |
| AH              | GLOBE STOP CHECK                | H          | 1500    | 21                  | F304L, CF3 | 39                 | ALLOY-20          | AN   | 316         | 316/CF8M+ST 6  | STELLITE 6  |
| AJ              | PISTON CHECK (SPRING LOADED)    | J          | 2500    | 22                  | F304H      | 41                 | TITANIUM          | AO   | 316L        | 316L+ST 6      | STELLITE 6  |
| AK              | BALL CHECK (SPRING LOADED)      | K          | 4500    | 24                  | F316/F316L | 42                 | F317, CG8M        | AQ   | 317         | 317+ST 6       | STELLITE 6  |
| AL              | BOILER BLOWDOWN                 | L          | 1690    | 25                  | F316H      | 43                 | F317L, CG3M       | AR   | 317L        | 317L+ST 6      | STELLITE 6  |
| BA              | GATE (321 STAINLESS BELLOWS)    | M          | 2680    | 26                  | F321       | 48                 | F304/F304L        | AT   | 321         | 321+ST 6       | STELLITE 6  |
| BB              | GLOBE (321 STAINLESS BELLOWS)   | Z          | SPECIAL | 27                  | F321H      | 50                 | LCC               | AU   | 347         | 347+ST 6       | STELLITE 6  |
| BG              | GATE (INCONEL 625 BELLOWS)      |            |         | 28                  | F347, CF8C | 51                 | F347H             | AW   | DUPLEX      | DUPLEX+ST 6    | STELLITE 6  |
| BH              | GLOBE (INCONEL 625 BELLOWS)     |            |         | 29                  | F51        |                    |                   | BC   | MONEL       | MONEL+ST 6     | MONEL       |
| BI              | Y GLOBE (321 STAINLESS BELLOWS) |            |         | 31                  | F53        |                    |                   | BD   | MONEL       | MONEL          | STELLITE 6  |
| BJ              | Y GLOBE (INCONEL 625 BELLOWS)   |            |         |                     |            |                    |                   | BE   | INCOLOY     | INCOLOY        | INCOLOY     |
| CG              | ANGLE GLOBE STOP CHECK          |            |         |                     |            | 99                 | SPECIAL           | BH   | HASTELLOY-B | HASTELLOY-B    | HASTELLOY-B |
| DB              | Y GLOBE                         |            |         |                     |            |                    |                   | BJ   | HASTELLOY-C | HASTELLOY-C    | HASTELLOY-C |
| DC              | Y PISTON CHECK (SPRING LOADED)  |            |         |                     |            |                    |                   | BK   | ALLOY 20    | ALLOY 20       | ALLOY 20    |
| DD              | Y NEEDLE GLOBE                  |            |         |                     |            |                    |                   | BL   | TITANIUM    | TITANIUM       | TITANIUM    |
| DE              | Y BALL CHECK (SPRING LOADED)    |            |         |                     |            |                    |                   | CA   | ALLOY 825   | ALLOY 825+ST 6 | STELLITE 6  |
| DF              | Y GLOBE STOP CHECK              |            |         |                     |            |                    |                   | CB   | ALLOY 825   | ALLOY 825      | ALLOY 825   |
| ZZ              | SPECIAL                         |            |         |                     |            |                    |                   | SB   | CR13 (1)    | CR13           | STELLITE 6  |
|                 |                                 |            |         |                     |            |                    |                   | SC   | CR13 (1)    | CR13+ST 6      | STELLITE 6  |
|                 |                                 |            |         |                     |            |                    |                   | SN   | 316 (1)     | 316+ST 6       | STELLITE 6  |
|                 |                                 |            |         |                     |            |                    |                   | SY   | MONEL (1)   | MONEL          | MONEL       |
|                 |                                 |            |         |                     |            |                    |                   | SZ   | MONEL (1)   | MONEL          | STELLITE 6  |
|                 |                                 |            |         |                     |            |                    |                   | ZZ   | SPECIAL     | SPECIAL        | SPECIAL     |

(1) NACE MR01-75 SERVICE

| 5<br>END CONNECTION |  | 6<br>BONNET STYLE |   | 7<br>BORE TYPE |         | 8<br>GASKET AND PACKING |                             |             |
|---------------------|--|-------------------|---|----------------|---------|-------------------------|-----------------------------|-------------|
| A                   | SOCKET WELD (ASME)                                   | A                 | BOLTED BONNET                                 | 1              | REDUCED | A                       | 304 SPIRAL WOUND+GRAPHITE   | GRAPHOIL    |
| B                   | BW (SPECIFY BORE)                                    | B                 | WELDED BONNET                                 | 2              | FULL    | B                       | 304L SPIRAL WOUND+GRAPHITE  | GRAPHOIL    |
| C                   | NIPPLE STUB ENDS                                     | C                 | SEAL WELDED BONNET                            | 9              | SPECIAL | C                       | 316 SPIRAL WOUND+GRAPHITE   | GRAPHOIL    |
| G                   | EXTENDED BODY MSW x FNPT                             | D                 | PRESSURE SEAL BONNET                          |                |         | D                       | 316L SPIRAL WOUND+GRAPHITE  | GRAPHOIL    |
| H                   | EXTENDED BODY MSW x FSW                              | E                 | RING JOINT BONNET                             |                |         | E                       | MONEL SPIRAL WOUND+GRAPHITE | GRAPHOIL    |
| J                   | SW x NIPPLE (STUB END)                               | F                 |   |                |         | F                       | A20 SPIRAL WOUND+GRAPHITE   | GRAPHOIL    |
| K                   | NPT x NIPPLE (STUB END)                              | G                 | COMPACT BOLTED BONNET BELLOWSEAL (GLOBE ONLY) |                |         | G                       | 304 SPIRAL WOUND+TEFLON     | TEFLON      |
| L                   | EXTENDED BODY MNPT x FNPT                            | H                 | BONNETLESS                                    |                |         | H                       | 304L SPIRAL WOUND+TEFLON    | TEFLON      |
| M                   | EXTENDED BODY MNPT x FSW                             | J                 | EXTENDED BOLTED BONNET                        |                |         | J                       | 316 SPIRAL WOUND+TEFLON     | TEFLON      |
| N                   | FNPT THREADED BOTH ENDS                              | K                 | EXTENDED WELDED BONNET                        |                |         | K                       | 316L SPIRAL WOUND+TEFLON    | TEFLON      |
| P                   | PT   | L                 | CRYOGENIC BOLTED BONNET                       |                |         | L                       | MONEL SPIRAL WOUND+TEFLON   | TEFLON      |
| Q                   | FLAT FACE  | M                 | CRYOGENIC WELDED BONNET                       |                |         | M                       | A20 SPIRAL WOUND+TEFLON     | TEFLON      |
| R                   | RAISED FACE  |                   |   |                |         | N                       | 304 SPIRAL WOUND+TEFLON     | BRAIDED TFE |
| S                   | SOCKET WELD x FNPT                                   |                   |   |                |         | P                       | 304L SPIRAL WOUND+TEFLON    | BRAIDED TFE |
| T                   | RING TYPE JOINT FACE                                 |                   |   |                |         | Q                       | 316 SPIRAL WOUND+TEFLON     | BRAIDED TFE |
| V                   | SW (JIS)   |                   |   |                |         | R                       | 316L SPIRAL WOUND+TEFLON    | BRAIDED TFE |
| X                   | SW (JIS) x PT  |                   |   |                |         | S                       | MONEL SPIRAL WOUND+TEFLON   | BRAIDED TFE |
| 2                   | INTEGRALLY REINFORCED EXTENDED BODY (BW x FNPT)      | Z                 | SPECIAL                                       |                |         | T                       | A20 SPIRAL WOUND+TEFLON     | BRAIDED TFE |
| 3                   | INTEGRALLY REINFORCED EXTENDED BODY (BW x FSW)       |                   |   |                |         | Z                       | SPECIAL                     | SPECIAL     |
| 4                   | INTEGRALLY REINFORCED EXTENDED BODY (LIP END X FNPT) |                   |   |                |         |                         |                             |             |
| 5                   | INTEGRALLY REINFORCED EXTENDED BODY (LIP END X FSW)  |                   |   |                |         |                         |                             |             |
| Z                   | SPECIAL  |                   |   |                |         |                         |                             |             |



## Products Manufactured by SWI Include :

- Ball Valves, Soft & Metal Seated
- Forged Steel Gate, Globe & Check Valves
- Cast & Forged Bellows Seal Gate and Globe Valves
- Cryogenic Valves down to minus 196°C
- Positive Isolation Block & Bleed Valves
- High Alloy Valves
- Top Entry Valves
- Fully Automated Valves, Pneumatic, Electric, Hydraulic & Gas Over Oil Systems

### HEAD OFFICE & PLANT 1

SWI Valve Co., Ltd.  
91-9, Beolmal-ro, Dongan-gu,  
Anyang-si, Gyeonggi-do, Korea

Tel: +82 31 421 1831~3  
Fax: +82 31 421 1834  
Website: [www.swivalve.com](http://www.swivalve.com)

### PLANT 2

SWI Valve Co., Ltd.  
51, Goryeom-gil, Cheongbuk-myeon,  
Pyeongtaek-si, Gyeonggi-do, Korea

Tel: +82 31 684 2981~3  
Fax: +82 31 684 2984

### USA OFFICE

SWI Valve Corporation  
13207 Stafford Rd., Suite 400  
Missouri City, Texas 77489  
USA

Tel: +1 713 266 7033  
Fax: +1 281 261 7507