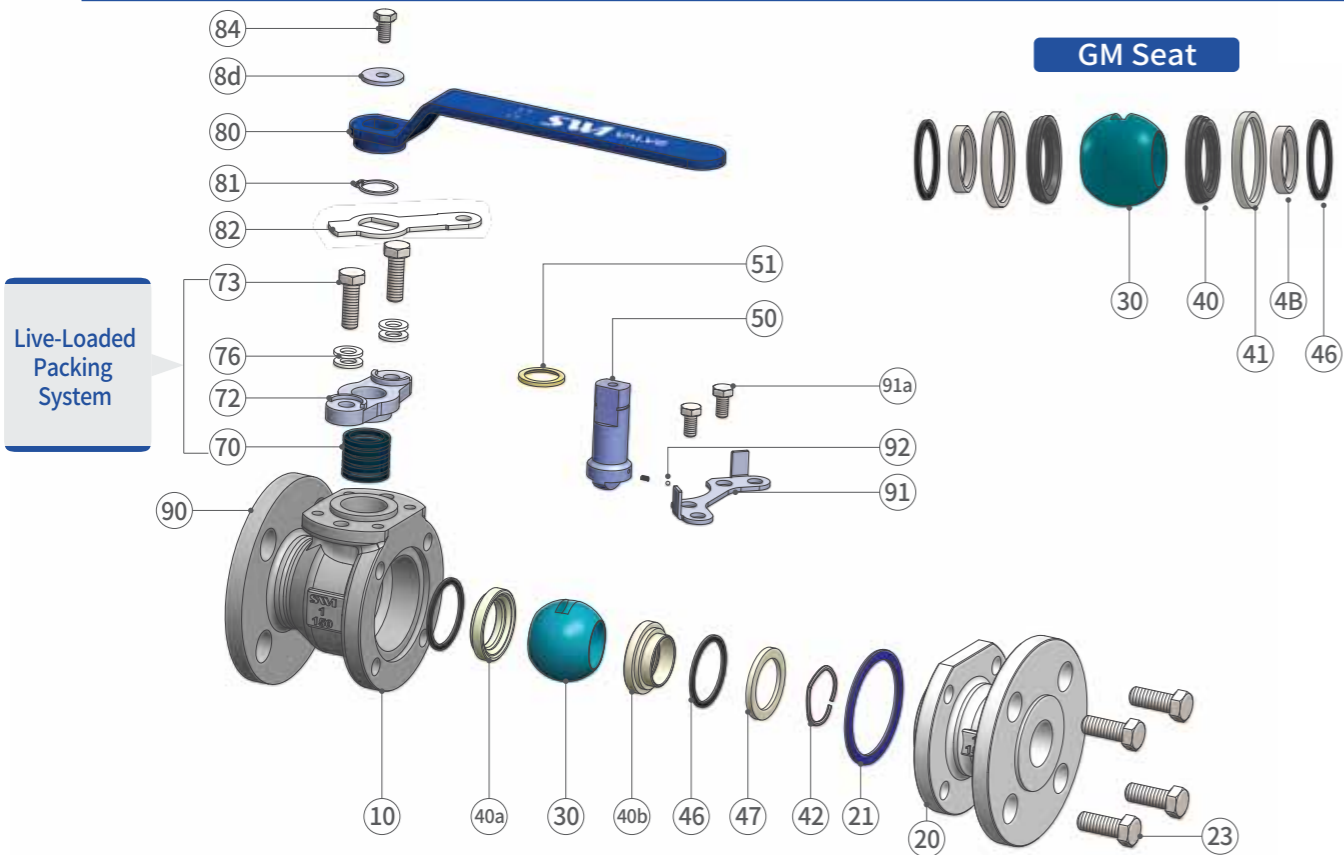


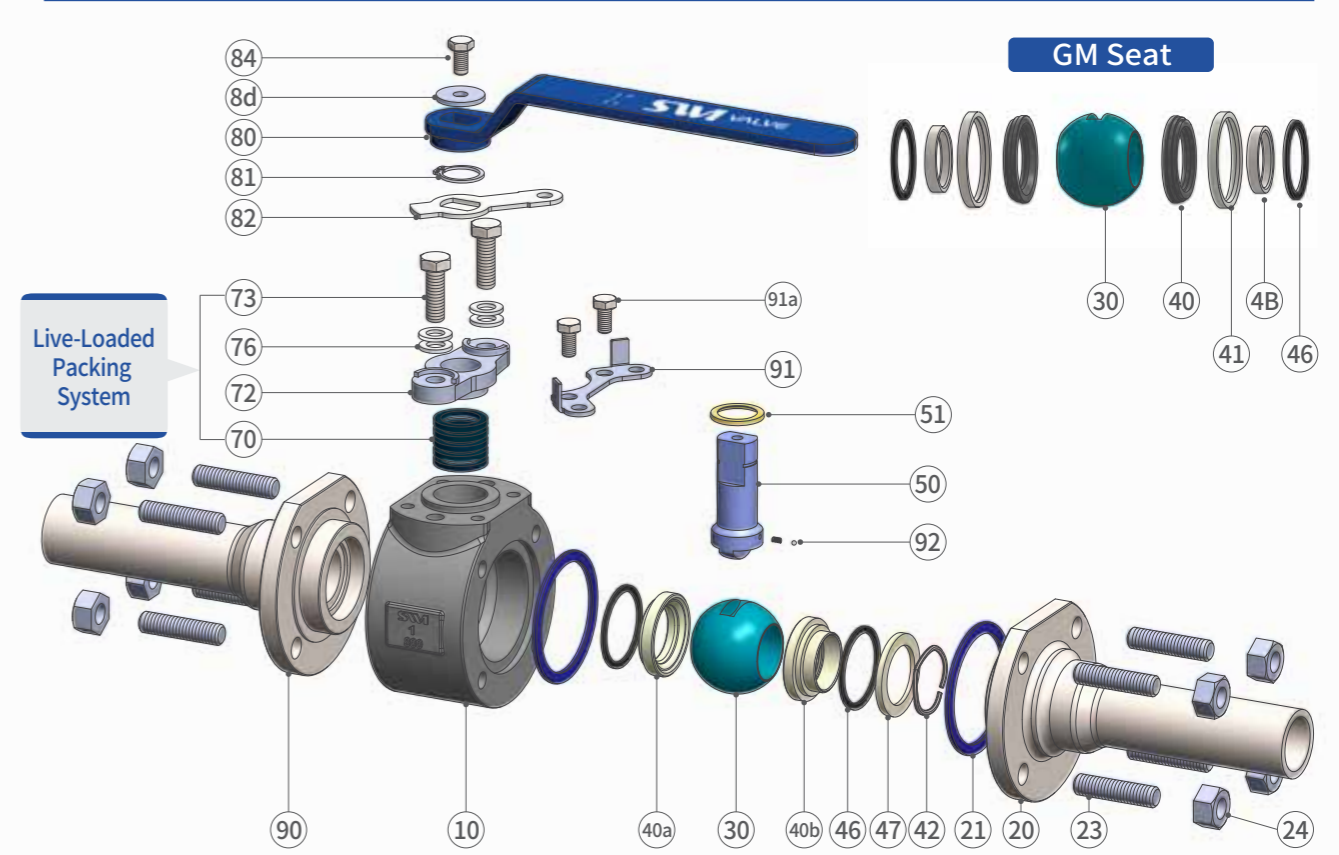
FLOATING TYPE (2P. FLANGED ENDS DESIGN)



NO.	PART NAME	SOLID METAL SEAT			GRAPHITE-METALLIZED (GM) SEAT		SPARE
		CARBON STEEL	ALLOY STEEL	STAINLESS STEEL	CARBON STEEL	STAINLESS STEEL	
10	BODY	A105N/WCB	F22/WC9	F316/CF8M	A105N/WCB	F316/CF8M	
20	CAP	A105N/WCB	F22/WC9	F316/CF8M	A105N/WCB	F316/CF8M	
21	CAP GASKET	316 HOOP + GRAPHITE					*
23	CAP BOLT	A193-B7M	A193-B16	A193-B8 CL2	A193-B7M	A193-B8 CL2	
30	BALL	316SS + Ni-Alloy / TCC			316SS + NITRIDING		*
40	SEAT RING	-			GRAPHITE-METALLIZED (GM)		*
40a	SEAT RING	316SS + Ni-Alloy / TCC / Stellite			-		*
40b	SEAT RING	316SS + Ni-Alloy / TCC / Stellite			-		*
41	SEAT HOLDER	-			316SS		*
42	SEAT SPRING	INCONEL X-750			-		*
46	SEAT BACKUP SEAL	-			GRAPHITE		*
47	RETAINER	316SS			-		
4B	SEAT INNER RING	-			316SS		
50	STEM	A182 FXM-19			A276-316		
51	THRUST BEARING	-			HIGH DENSITY GRAPHITE		*
70	GLAND PACKING	-			GRAPHITE		*
72	GLAND FLANGE	-			A351-CF8M		
73	GLAND BOLT	-			A193-B8		
76	BELLEVILLE SPRING	-			INCONEL 625		
80	LEVER	-			A351-CF8M		
81	SNAP RING	-			A240-304		
82	STOPPER	-			A240-304		
84	LEVER SET BOLT	-			A193-B8		
8d	LEVER WASHER	-			A240-304		
90	NAME PLATE	-			A240-304		
91	LOCKING PLATE	-			A240-304		
91a	LOCKING PLATE BOLT	-			A193-B8		
92	ANTI STATIC DEVICE	-			316SS		

NOTES 1. Typical materials for standard valves. Alternative materials available on request.
 2. Class 150# / 300#, 3" FB / 4" RB & above valves fitted with T-Bar operator. Option for gear or alternative operators on request.
 3. GM = Graphite Metallized

FLOATING TYPE (3P. SW / BW / NIPPLE ENDS DESIGN)



NO.	PART NAME	SOLID METAL SEAT		GRAPHITE-METALLIZED (GM) SEAT		SPARE
		CARBON STEEL	STAINLESS STEEL	CARBON STEEL	STAINLESS STEEL	
10	BODY	A105N	A182-F316	A105N	A182-F316	
20	CAP	A105N	A182-F316	A105N	A182-F316	
21	CAP GASKET	316 HOOP + GRAPHITE				*
23	CAP BOLT	A193-B7M	A193-B8 CL2	A193-B7M	A193-B8 CL2	
24	CAP NUT	A194-2HM	A194-8	A194-2HM	A194-8	
30	BALL	316SS + Ni-Alloy / TCC		316SS + NITRIDING		*
40	SEAT RING	-		GRAPHITE-METALLIZED (GM)		*
40a	SEAT RING	316SS + Ni-Alloy / TCC / Stellite		-		*
40b	SEAT RING	316SS + Ni-Alloy / TCC / Stellite		-		*
41	SEAT HOLDER	-		316SS		*
42	SEAT SPRING	INCONEL X-750		-		
46	SEAT BACKUP SEAL	-		GRAPHITE		*
47	RETAINER	316SS		-		
4B	SEAT INNER RING	-		316SS		
50	STEM	A182 FXM-19		A276-316		
51	THRUST BEARING	-		HIGH DENSITY GRAPHITE		*
70	GLAND PACKING	-		GRAPHITE		*
72	GLAND FLANGE	-		A351-CF8M		
73	GLAND BOLT	-		A193-B8		
76	BELLEVILLE SPRING	-		INCONEL 625		
80	LEVER	-		A351-CF8M		
81	SNAP RING	-		A240-304		
82	STOPPER	-		A240-304		
84	LEVER SET BOLT	-		A193-B8		
8d	LEVER WASHER	-		A240-304		
90	NAME PLATE	-		A240-304		
91	LOCKING PLATE	-		A240-304		
91a	LOCKING PLATE BOLT	-		A193-B8		
92	ANTI STATIC DEVICE	-		316SS		

NOTES 1. Typical materials for standard valves. Alternative materials available on request.
 2. GM = Graphite Metallized