



# Pure-Flo<sup>®</sup> & EnviZion<sup>®</sup> High Purity Diaphragm Valves

Product Selection Guide



**ITT**

ENGINEERED FOR LIFE

# Sample & Bleed Valves

## Section H

### Application

The Pure-Flo product line of Sample and Bleed Valves provides compact and economical means to extract process samples and bleed off excess condensate while maintaining product sterility.

### Benefits

Stagnant fluid inherent to the take-off leg of a conventional diaphragm or ball valve sample valve is eliminated in the Pure-Flo Sample Valve. By providing a stainless steel metal to metal shut off directly at the Tri-Clamp®, the typical take-off leg is eliminated.

Pure-Flo Sample and Bleed Valves are available in Sample, Zero Static Sample, and Bleed, and with a number of standard and optional features to best suit your system design.

Sample and Bleed Valves are manufactured from 316L stainless steel and utilize a thermoplastic handwheel so that they can withstand typical cleaning and sterilization protocols, including autoclaving.

The relatively simple design utilizing “off the shelf” o-ring seals allows for easy replacement of sealing components.

The Sample Valve handle and stem are designed to provide smooth operation and limited wear on the internal components.

The Zero Static Sample Valve can be installed directly in line and allows a sample to be taken or condensate to be drained without the typical hold up volume or contact surfaces inherent to branch valve assemblies.

The Bleed valve is a simple but effective design for providing a quick and easy way to asperate or drain a system. These are often used for filter housings, bubble traps, and small tanks. An optional weld end allows the bleed valve to become an integral part of any assembly.

All product contact materials are FDA compliant.



### Standard Features

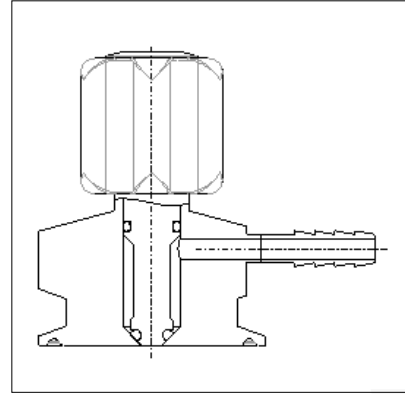
- Body Material: 316L
- O-Ring/Seal Material: EPDM FDA compliant, USP Class VI
- Handwheel Material: Polyphenylsulfone
- Standard Interior Surface Finish: 11 $\mu$ m (0,3 $\mu$ m) Ra
- Electropolish: Interior and Exterior
- Inlet End Connection: Tri-Clamp®
- Outlet End Connection: Tri-Clamp®, Butt weld, Hose Barb
- Maximum Temperature/Pressure: 135°C (275°F) 100 psi (7,0 bar)
- Autoclavable

### Available Options

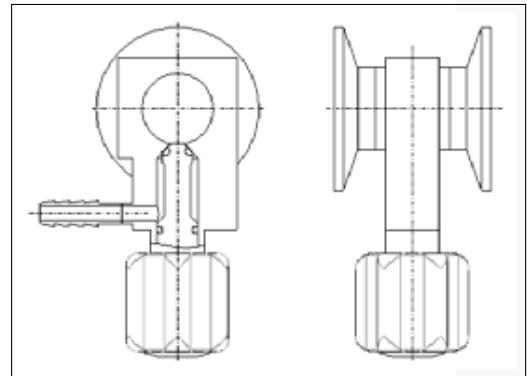
- Body Material: 1.4435, AL6XN, C276, C22
- O-Ring Seal Material: Viton - FDA compliant, Viton - FDA compliant and USP Class VI
- End Connections: ISO/DIN
- Outlet Option: 2nd outlet, steaming port
- Operation: Toggle style handle available on sample valve and zero static sample valve
- Other options available upon request

# Sample Valves

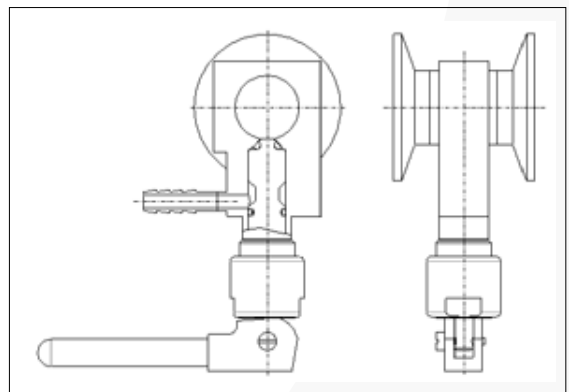
Sample Valve



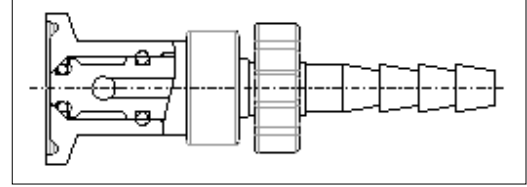
Zero Static Sample Valve



Toggle Style Operation



# Bleed Valve



Drawing is an example of a customer specific sample valve drawing

## Sample valve configurations

### Standard configuration

SV – W – 1 – 419 – .38 – X41 – EPDM

Code	SV	W	1	419	.38	X41	EPDM
Description	Valve type	Material	Inlet size	Inlet end connection	Outlet size	Outlet end connection	O-ring type

### Special configuration

SV-WD-.5-419-34-.25-X19S1-34-VIT-SPEC:2nd Outlet 0.25"-PER DRAWING:K18000-MAX FERR:3%

Code	SV	WD	.5	419	34	.25	X19S1
Description	Valve type	Material	Inlet size	Inlet end connection	Special inlet Tri-clamp	Outlet size	Outlet end connection

34	VIT	SPEC: 2nd Outlet 0.25"	Per Drawing: K18000	MAX FERR:3%
Special outlet Tri-clamp	O-ring type	Special outlet configurations	Special	Controlled ferrite

## Options

### Valve Type (Block valve)

Code	Description	Inlet/run sizes	End Connections	Outlet sizes	End Connections
SV	Sample valve	1/4 - 4.0"	TC / BW / SPEC	1/8 - 1/2	TC / BW / HB / SPEC
ZSS	Zerostatic sample valve	1/4 - 4.0"	TC / BW / SPEC	1/8 - 1/2	TC / BW / HB / SPEC
BV	Bleed valve	1/4 - 4.0"	TC / BW / SPEC	1/8 - 3/8	HB ONLY
SV-TSH	Toggle sample valve	1/4 - 4.0"	TC / BW / SPEC	1/8 - 1/2	TC / BW / HB / SPEC
ZSS-TSH	Toggle zerostatic sample valve	1/4 - 4.0"	TC / BW / SPEC	1/8 - 1/2	TC / BW / HB / SPEC
SPEC	Special sample valve	1/4 - 4.0"	TC / BW / SPEC	1/8 - 1/2	TC / BW / HB / SPEC



ENGINEERED FOR LIFE

ITT Engineered Valves  
33 Centerville Road  
Lancaster, PA 17603, USA  
Tel: +1 (717) 509-2200

**Cam-Line, Cam-Tite, Dia-Flo,  
EnviZion, Pure-Flo, Skotch**

ITT Engineered Valves  
1110 Bankhead Avenue  
Amory, MS 38821, USA  
Tel: +1 (662) 256-7185

**Fabri-Valve**

ITT Industries Ltd.  
Weycroft Avenue,  
Millwey Rise Industrial Estate  
Axminster, EX13 5HU, United Kingdom  
Tel: +44 1297-639100

**EnviZion, Pure-Flo**