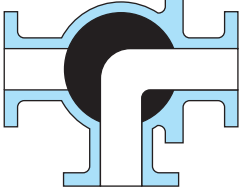
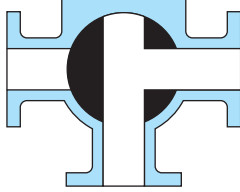

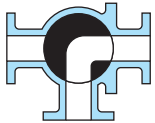





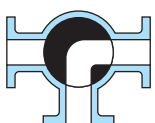



Seat Mechanism (Port Shape and Seat Number)


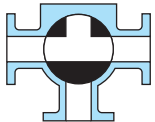


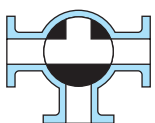

E300NB(N): L-Port/T-Port

L-Port (L2, L4, L3)	T-Port (T4, T3)
For flow path switching	For fluid diverting and mixing
	

L-Port

Code	Flow Path and Seat Number	Nominal Size	Notes
L2	 <p>2 seats</p>  	DN15 to 200	Seats are compatible with those of 2 way valve (F100NB). (L2 type has not a seat at the center. To prevent fluid deposit, L4 type will be applied.)
L4	 <p>4 seats</p>  	DN15 to 100	Seats are not compatible with those of 2 way valve (F100NB).
L3	 <p>3 seats</p>  	DN125 to 200	

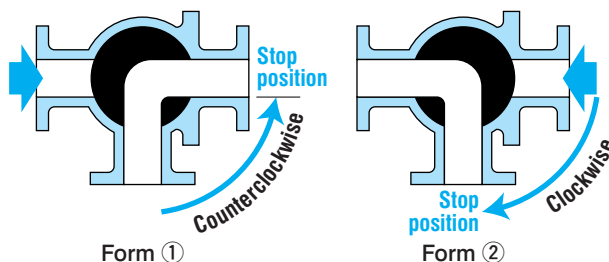
T-Port

Code	Flow Path and Seat Number	Nominal Size	Notes
T4	 <p>4 seats</p>  	DN15 to 100	Seats are not compatible with those of 2 way valve (F100NB).
T3	 <p>3 seats</p>  	DN125 to 200	

Changeover Form

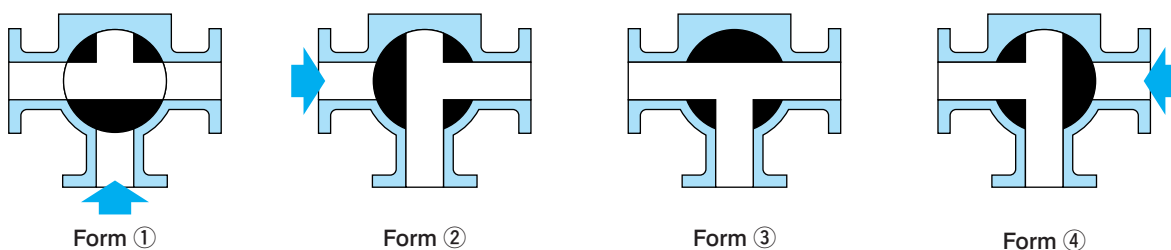
L-port

Right figure is the standard for L-Port type changeover form. If automatic valve is applied, please specify form ① or ② as its shut-down form of the operation when the power (air or electricity) is lost.



T-Port

For T-port, such ① & ② or ① & ④ of below figure will be selected as changeover form of 90° rotation. If automatic valve is applied, select and specify either of form ①, ②, ③ or ④ as its shut-down form when the operation power (air or electricity) is lost.

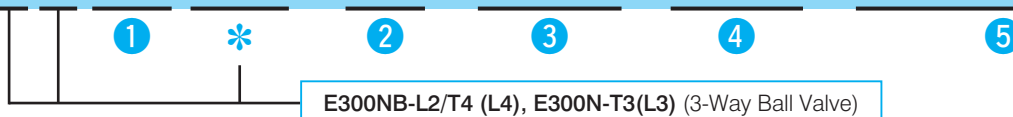


If a high pressure comes to a port as arrow mark in the above figure, a little leakage may occur to a low pressure side.

Valve Codes

Valve Code for E300NB(N)

E 3 0 7 N B - L 2 - N T F - 0 5 0 - J 1 0 K R F



E300NB-L2/T4 (L4), E300N-T3(L3) (3-Way Ball Valve)

① Body Material

04	FCD400
07	SCS13A
12	SCS14A
13	SCS16A

② Seat Mechanism

Port Shape	Seat Number
L2	2
L3	3
L4	4
T3	3
T4	4

③ Seat Material (Refer to Page 10)

NTF, NCF, NGR, CFM, CFMR

④ Nominal Size (DN or A)

Conforming to ISO6708 and JIS B2001

⑤ Connection

J10KRF	JIS 10KRF
A150RF	ASME CL150

* Improvement Identification Code

None	Original Design
N	First Improvement
NB	Second Improvement
NC	Third Improvement
ND	Fourth Improvement

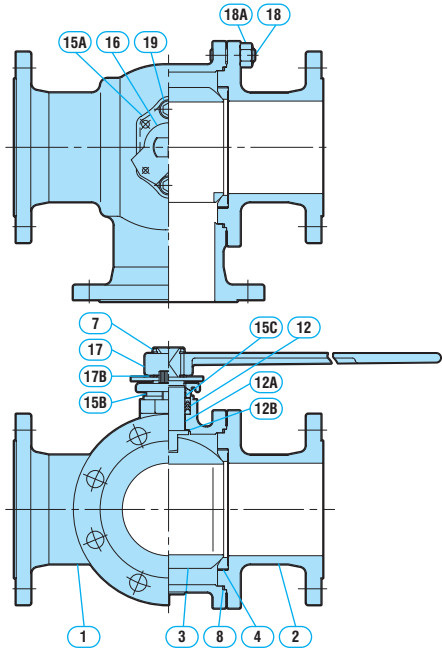
2-1 2 Seats 3-Way Ball Valve: E300NB-L2 Type

Structure and Features

The shape of the port is L Type. The valve is used for switching fluid.

Parts and Materials

The materials of the components are as below as far as there are no special requests.



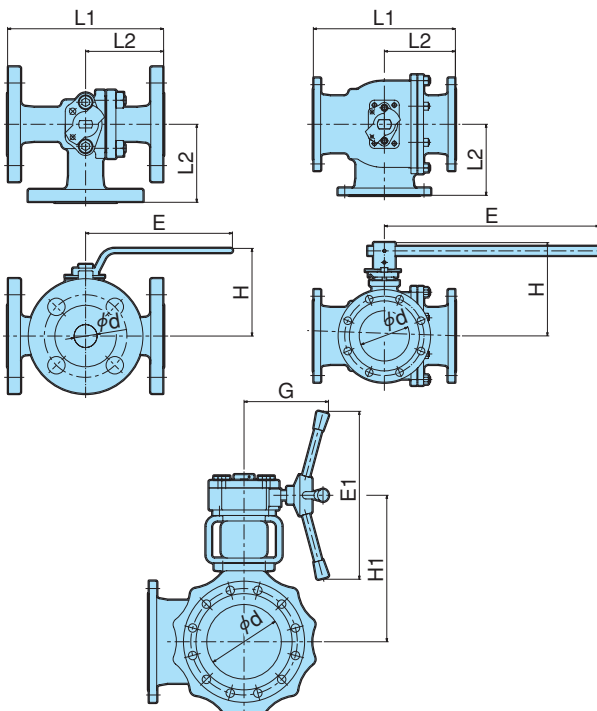
The above structure may have small differences according to the nominal size.

Applicable Class (DN15 to 200)

Body Material	Class
FCD400, SCS13A	JIS10K
SCS14A	JIS10K, CL150

Parts	Material		
	E304NB-L2	E307NB-L2	E312NB-L2
1 Body	FCD400	SCS13A	SCS14A
2 Cap	FCD400	SCS13A	SCS14A
3 Ball	SCS13A or SUS304		SCS14A or SUS316
4 Seat	NTF, NCF, NGR, CFM, CFMR, CFMO		
7 Stem	SUS304		SUS316
8 Gasket	New-PTFE		
12 Packing	New-PTFE		
12A Bearing	New-PTFE		
12B Thrust Washer	New-PTFE		
15A Gland Flange	SCS13A		
15B Gland	SUS304		
15C Bearing	New-PTFE		
16 Travel Stop	SUS304		
17 Lever	SCPH2 (DN15 to 100) SCPH2 & STK490 (DN125 to 200)		
17B Retaining Ring	SUS304		
18 Stud Bolt	SNB7	SUS304	
18A Nut	S45C	SUS303	
19 Cap Screw	SUS304		

Dimension



Unit: mm

Nominal size DN	d	L1	L2	H	E	H1	G	E1	Mass (Approx. kg)	
									Stainless Cast Steel	
									10K	Lever Operated
15	13	146	73	80	130	—	—	—	2.9	—
20	19	150	75	85		—	—	—	3.6	—
25	25	170	85	100	160	—	—	—	5.6	—
40	38	200	100	115		230	—	—	—	8.8
50	51	230	115	120	350		—	—	—	11.7
65	64	260	130	135		650	—	—	—	19.0
80	76	280	140	145	342		—	—	—	23.0
100	102	340	170	180		362	280	165	240	36.0
125	127	370	185	260	362		342	190	300	60.0
150	152	430	215	280		800	362	190	300	79.0
200	203	520	260	350	800		425	230	460	140.0

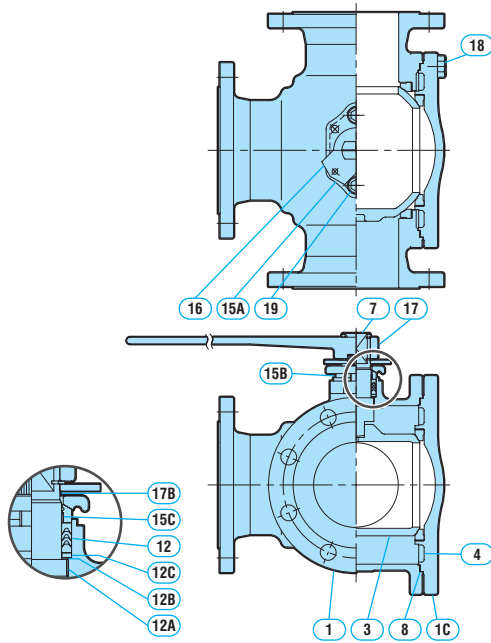
2-2 4 Seats 3-Way Ball Valve: E300NB-T4/L4

Structure and Features

T-Port type is NDV standard but L-Port type is also available.
The valve is used for switching, separating or mixing fluid.

Parts and Materials

The materials of the components are as below as far as there are no special requests.



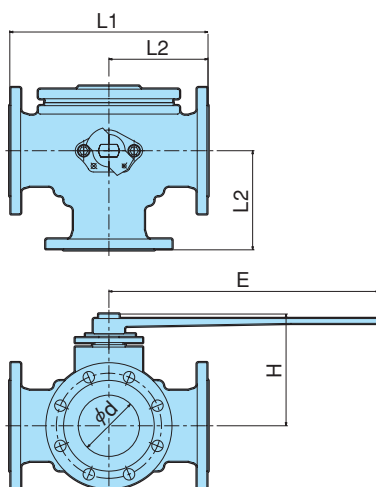
Parts	Material		
	E304NB-T4/L4	E307NB-T4/L4	E312NB-T4/L4
1 Body	FCD400	SCS13A	SCS14A
1C Side Cover	FCD400	SCS13A	SCS14A
3 Ball	SCS13A		SCS14A
4 Seat	NTF, NCF, NGR		
7 Stem	SUS304		SUS316
8 Gasket	New-PTFE		
12 Packing	New-PTFE		
12A Bearing	New-PTFE		
12B Thrust Washer	New-PTFE		
12C Washer	SUS316		
15A Gland Flange	SCS13A		
15B Gland	SUS304		
15C Bearing	New-PTFE		
16 Travel Stop	SUS304		
17 Lever	SCPH2		
17B Retaining Ring	SUS304		
18 Bolt	SUS304		
19 Cap Screw	SUS304		

Applicable Class (DN15 to 100)

Body Material	Class
FCD400, SCS13A	JIS10K
SCS14A	JIS10K, CL150

JIS20K (CL300) is also available.

Dimension



Unit: mm

Nominal size DN	d	L1	L2	H	E	Mass (Approx. kg)
						Stainless Cast Steel 10K
15	19	140	70	95	160	3.7
20						4.2
25	25	160	80	105	230	6.6
40	38	180	90	119		9.0
50	51	200	100	129	350	13.7
65	64	240	120	140		19.5
80	76	260	130	167	450	28.0
100	102	330	165	182		35.0

This valve is not compatible with E300NB-L2 in face to face dimension and parts.

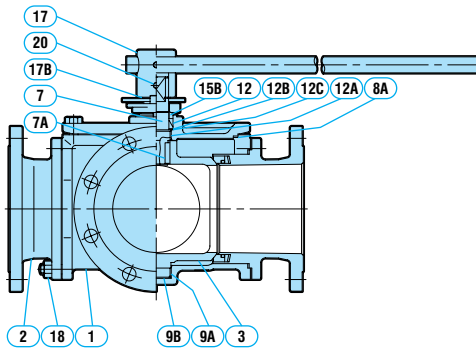
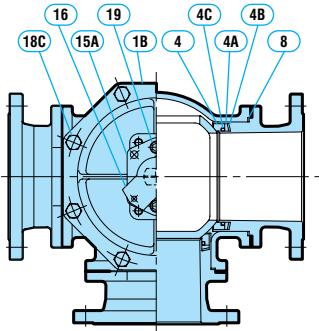
2-3 3 Seats 3-Way Ball Valve: E300N-T3/L3

Structure and Features

T-Port type is NDV standard but L-Port type is also available. The valve is used for switching, separating or mixing fluid.

Parts and Materials

The materials of the components are as below as far as there are no special requests.



This valve is not compatible with E300NB-L2 in face to face dimension and parts.

Remarks

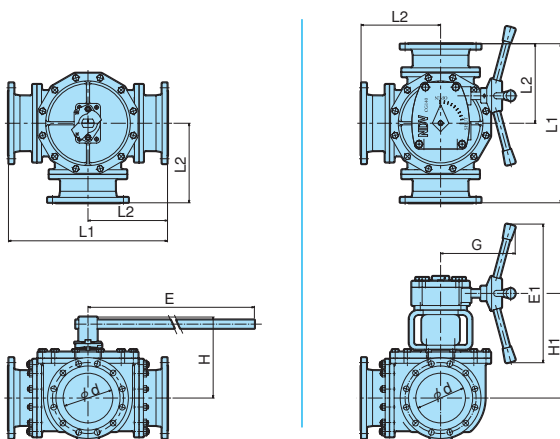
- (*1) Fluid temperature is up to 80°C
 - (*2) Fluid temperature is up to 150°C
- For (*1) and (*2), if the fluid is solvent, the materials may not be used.

Applicable Class (DN125 to 200)

Body Material	Class
FCD-S, SCS13	JIS10K, CL150
SCS14, SCS16	JIS10K, CL150

Parts	Material			
	E304N-T3/L3	E307N-T3/L3	E312N-T3/L3	E313N-T3/L3
1 Body	FCD-S	SCS13	SCS14	SCS16
1B Cover	FCD-S	SCS13	SCS14	SCS16
2 Body Connector	FCD-S	SCS13	SCS14	SCS16
3 Ball	SCS13		SCS14	SCS16
4 Seat	NTF, CF, GR			
4A Spacer	SUS304		SUS316	SUS316L
4B Spring	SUS329J3L			
4C O-Ring	NBR (*1)	FKM (*2)		
7 Stem	SUS420J2	SUS304	SUS316	SUS316L
7A Key	SUS304		SUS316	SUS316L
8 Gasket	PTFE			
8A Gasket	PTFE			
9A Bearing	PTFE			
9B Thrust Washer	PTFE			
12 Packing	PTFE			
12A Bearing	PTFE			
12B Thrust Washer	PTFE			
12C Washer	SUS304		SUS316	SUS316L
15A Gland Flange	FCD400	SCS13		
15B Gland	SUS304			
16 Travel Stop	SUS304			
17 Lever	FCD400 & STK50			
17B Retaining Ring	SUS304			
18 Stud Bolt/Nut	SS400	SUS304		
18C Bolt	SS400	SUS304		
19 Cap Screw	S45C	SUS304		
20 Set Screw	SUS304			

Dimension



Unit: mm

Nominal size DN	d	L1	L2	H	E	H1	G	E1	Mass (Approx. kg)	
									Stainless Cast Steel	
									10K	
									Lever Operated	Gear Operated
125	127	430	215	260	800	340	230	460	82.5	110.0
150	152	500	250	275		352			104.0	132.0
200	203	650	325	335	1100	434	260		177.0	226.0